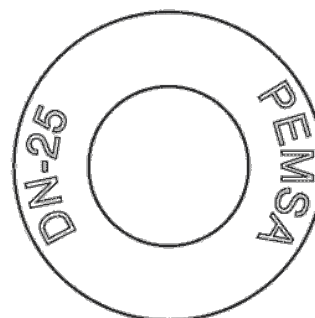
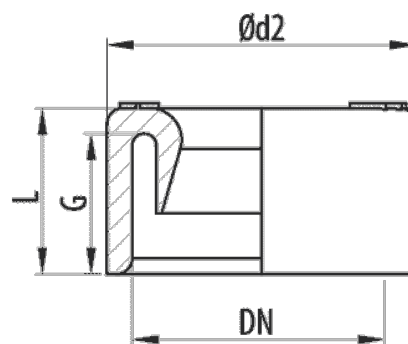


**End Cap**



**Description**

Plastic terminal for the protection of the cable exit in the ends of RR and RL rigid conduits. Made of translucent polyethylene for the protection of the exit of the cable in the end of the corrugated conduit. Available in several sizes.

**Advantages**

It protects the exit of cables from friction or superficial damages.

Available in various sizes.

Perfect adjustment on the end of the conduit.

CE conformity to the 2014/35 directive and the IEC 61386 standard.

**Applications**

Suitable for the protection of the ends of RL, RR, RLGC, RRG, RAL, RINOX metal rigid conduit in building, tertiary and industrial applications with high safety requirements. Premises of public attendance or with risk of fire or explosion.

**Solutions**



**End Cap**

**Main technical characteristics**

COLOUR Grey RAL 7035	DN NW16, NW20, NW25, NW32, NW40, NW50, NW63	PVC	-5°/ 60°	Flame retardant	ETIM EC000519
----------------------	---	-----	----------	-----------------	------------------

**Product data**

DN	Ref	kg/u	
NW16	55111016	0.001	100 u
NW20	55111020	0.002	100 u
NW25	55111025	0.005	100 u
NW32	55111032	0.006	50 u
NW40	55111040	0.010	50 u
NW50	55111050	0.016	25 u
NW63	55111063	0.023	20 u

**Coatings**

**PG/GS** - Pre-Galvanised Finish. Resistance to corrosion according to EN-10346. Adequate for indoor installations.

**EZ** - Electrogalvanized, white, according to EN ISO 2081. Electrolytic zinc protection adequate for indoor installations.

**BC** - Electrogalvanized Bycro, yellow, in compliance with EN ISO 2081. Improved resistance to corrosion, especially adequate for demanding indoor installations.

**GC** - Hot-dipped galvanizing in compliance with EN ISO 1461. Appropriate for outdoor installations and aggressive environments.

**BLACK C8** - High Resistance coating, Black Colour. Neutral Salt Spray Chamber test >1000 h acc. to ISO 9227.

**304 and 316L** stainless steel, in compliance with EN 10088 standard, with passivated Thermicon treatment. Appropriate for outdoor installations and highly aggressive environments.

